



MIDI **interface**™

USERS MANUAL

PASSPORT

"The Music Software Source"

-*-**-*-*_ WARNING -*-**-*-*_

THIS EQUIPMENT GENERATES AND USES RADIO FREQUENCY ENERGY AND IF NOT INSTALLED AND USED PROPERLY, THAT IS, IN STRICT ACCORDANCE WITH THE MANUFACTURER'S INSTRUCTIONS, MAY CAUSE INTERFERENCE TO RADIO AND TELEVISION RECEPTION. IT HAS BEEN TYPE TESTED AND FOUND TO COMPLY WITH THE LIMITS FOR A CLASS B COMPUTING DEVICE IN ACCORDANCE WITH THE SPECIFICATIONS IN SUBPART J OF PART 15 OF THE FCC RULES, WHICH ARE DESIGNED TO PROVIDE REASONABLE PROTECTION AGAINST SUCH INTERFERENCE IN A RESIDENTIAL INSTALLATION. HOWEVER, THERE IS NO GUARANTEE THAT INTERFERENCE WILL NOT OCCUR IN A PARTICULAR INSTALLATION. IF THIS EQUIPMENT DOES CAUSE INTERFERENCE TO RADIO OR TELEVISION RECEPTION, WHICH CAN BE DETERMINED BY TURNING EQUIPMENT OFF AND ON, THE USER IS ENCOURAGED TO TRY TO CORRECT THE INTERFERENCE BY ONE OR MORE OF THE FOLLOWING MEASURES:

- * REORIENT THE RECEIVING ANTENNA.
- * RELOCATE THE COMPUTER WITH RESPECT TO THE RECEIVER.
- * MOVE THE COMPUTER AWAY FROM THE RECEIVER.
- * PLUG THE COMPUTER INTO A DIFFERENT OUTLET SO THAT THE COMPUTER AND RECEIVER ARE ON DIFFERENT BRANCH CIRCUITS.
- * IF NECESSARY, THE USER SHOULD CONSULT THE DEALER OR AN EXPERIENCED RADIO/TELEVISION TECHNICIAN FOR ADDITIONAL SUGGESTIONS.

THE USER MAY FIND THE FOLLOWING BOOKLET PREPARED BY THE FEDERAL COMMUNICATIONS COMMISSION: "HOW TO IDENTIFY AND RESOLVE RADIO-TV INTERFERENCE PROBLEMS". THIS BOOKLET IS AVAILABLE FROM THE U.S. GOVERNMENT PRINTING OFFICE, WASHINGTON, DC 20402, STOCK No. 004-000-00345-4.

CAUTION ~

THIS EQUIPMENT MUST ONLY USE SHIELDED CABLES THAT ARE SUPPLIED BY PASSPORT DESIGNS, INC. THESE CABLES, AS SUPPLIED WITH THE UNIT, ARE DESIGNED TO REDUCE INTERFERENCE AS REQUIRED BY PROPER ENGINEERING AND MANUFACTURING METHODS AND BY REGULATIONS ENFORCED BY THE FEDERAL COMMUNICATIONS COMMISSION. PRIOR TO USING ANY INTER-CONNECTING CABLES WHICH WERE NOT SPECIFICALLY SUPPLIED WITH THE UNIT, CONTACT PASSPORT DESIGNS, INC. FOR INSTRUCTIONS.

NOTICES

Passport Designs, Inc. reserves the right to make improvements in the product described in this manual at any time and without notice.

This manual is copyrighted. All rights are reserved. No part of this manual may be copied, reproduced, translated, or reduced to any electronic medium or machine readable form without the written consent of Passport Designs, Incorporated, 625 Miramontes Suite 103, Naif Moon Bay, CA 94019.

Passport Designs, Inc. makes no warranties either express or implied with respect to this manual or with respect to the product described in this manual, its merchantability, or fitness for any particular purpose.

Passport Designs make certain limited warranties with regard to defective products.

WARRANTY

Passport Designs, Inc. warrants to the original purchaser of this computer hardware product that the product will be free from defects in materials or workmanship for a period of 90 days from the date of purchase. This warranty will be null and void if any component appears to have been damaged due to unauthorized service or misuse. Passport Designs reserves the right to repair or replace defective hardware at its discretion.

This warranty is in lieu of all other warranties, whether oral or written, expressed or implied. Any implied warranties, including implied warranties of merchantability and fitness for a particular purpose, are expressly limited in duration to ninety days from the date of purchase. Passport Designs shall not be liable for any incidental, consequential, or collateral damages resulting from use and/or operation of its products, or for breach of any expressed or implied warranty.

Some states do not allow the exclusion of incidental or consequential damages or limitations on how long an implied warranty lasts, so the above limitation or exclusion may not apply to you. This warranty gives you specific legal rights; you may also have other rights which vary from state to state.

- * Apple II+, Apple //e, and Applesoft BASIC are trademarks of Apple Computer, Inc.
- * Commodore 64 is a trademark of Commodore Business Machines, Inc.
- * Korg is a trademark of Unicord.
- * Roland is a trademark of Roland Corp. U.S.
- * Linn is a trademark of Linn Electronics, Inc.
- * Oberheim is a trademark of Oberheim Electronics, Inc.
- * E-mu end Drumulator are trademarks of E-mu Systems, Inc.

Manual written by Bruce Bethke & John Borowicz
1st Edition, March 1985
Published by Passport Designs, Inc.
625 Miramontes St.
Half Moon Bay, CA 94019
(415) 726-0280

All manual contents:
(c) 1985 Passport Designs, Incorporated
ALL RIGHTS RESERVED

MIDI INTERFACE CARD
USER MANUAL & TECHNICAL NOTES
FOR MODELS MH-01A & MH-02A WITH TAPE SYNC
FOR APPLE //, //e
&
MODEL MH-01C FOR COMMODORE 64

CONTENTS

	<u>page</u>
1.0 Introduction	4
2.0 System Requirements & Setup	5
2.1 Installation: APPLE // Version	6
2.2 Installation: COMMODORE 64 Version	7
2.3 System Diagram	8
2.4 connecting Drum Machines	9
2.5 Connecting & Using Tape Sync	11
3.0 Introductory Programming	13
3.1 MIDI Codes	17
4.0 Technical Notes	19
4.1 Apple // Hardware Addresses	20
4.2 Commodore 64 Hardware Addresses	21
4.3 Initialization & Operation Codes	22
4.4 6840 PTM Description	23
4.5 6850 ACIA Description	29
4.6 Additional Sources of Information	36

1.0 INTRODUCTION

Passport's Musical Instrument Digital Interface (MIDI) card is a simple, reliable, linking device allowing data communication between MIDI-equipped musical instruments and Apple II, II+, //e, or Commodore 64 microcomputers.

This document is divided into four sections:

- 1.0 is introductory material;
- 2.0 covers installation and system configuration, and is "must" reading for all users;
- 3.0 covers common MIDI codes and beginning-level sample applications;
- 4.0 covers hardware control and addressing. It is intended primarily as a resource for experienced programmers.

Please note that the sections on MIDI codes and applications in this document are intended as introductory material only. For a thorough study of MIDI command codes and data types, we advise obtaining a copy of the MIDI SPECIFICATION from the International MIDI Association (see pg.36).

2.0 SYSTEM REQUIREMENTS & SETUP

The following hardware is required in order to use the MIDI interface:

- One Apple II-type computer with at least 48K RAM, video monitor, and one disk drive with disk controller card.
- OR -
- One Commodore 64 computer with monitor or television, and one disk drive.
- One MIDI-equipped synthesizer.
- At least two MIDI 5-pin DIN cables (supplied with unit).
- Amplifier, headphones, or other audio monitoring system.
- OPTIONAL - Programmable drum machine.
- OPTIONAL - MIDI Drum Sync Cable Kit. (DCK-1)
Available from your local dealer, or directly from Passport Designs.
- OPTIONAL - Two cables with male RCA-type plugs, for use with TAPE SYNC. (FOR APPLE MODEL MH-02A ONLY)

In the Passport system, all instruments are connected in daisy-chain format. That is, the "first" instrument connects directly to the computer via MIDI IN and MIDI OUT. (Position in the chain has no relationship to CHANNEL NUMBERS of the receiving instruments.)

MIDI THRU on the "first" instrument connects to MIDI IN on the "second" instrument; MIDI THRU on the "second" instrument to MIDI IN on the "third" instrument; and so on down the chain.

Note that in this system, only the "first" instrument transmits to the computer. NO instruments transmit directly to each other. However, ALL instruments in the system receive from the computer, and thereby from the "first" instrument.

2.1 INSTALLATION: APPLE // VERSION

With the power off (pulling the plug is even better), open the top of your computer and locate slot #2. When facing the keyboard end of your computer, this is the second slot from the left side in Apple //es, or the third slot from the left side in Apple II's and II+'s. Insert the MIDI interface card into slot #2; it can only fit one way. After the card is in the slot:

- 1.) Feed your MIDI 5-pin DIN cables through the back of your computer. (Apple //e owners: The cables will fit through hole #12 in the backplate of the computer.)
- 2.) Connect the Computer MIDI OUT to Synthesizer MIDI IN.
- 3.) Connect the Synthesizer MIDI OUT to Computer MIDI IN.
- 4.) OPTIONAL - If you have a non-MIDI drum machine, connect one end of the DCE-1 Drum Cable Kit to DRUM on the interface card, and turn to Section 2.4. IF YOU HAVE A MIDI DRUM MACHINE, DO NOT USE THIS CONNECTION-
- 5.) OPTIOINAL (FOL MODLL MH-02A ONLY) - If you have a multi-track tare recorder and wish to use TAPE SYNC, connect RCA-type cables to the PCA IN and OUT jacks on the interface, and turn to Sec. 2.5.
- 6.) Close the top of your computer and reconnect power.

If you have multiple instruments in your system, only one synthesizer is connected directly to the computer. Additional instruments tie into the system via cables from MIDI THRU on one instrument to MIDI IN on the next.

2.2 INSTALLATION: COMMODORE 64 VERSION

Installing your MIDI interface is simple: With the power off, plug the MIDI interface label side up into the expansion slot on the right rear corner of your Commodore 64. Then:

- 1.) Connect the Computer MIDI OUT to Synthesizer MIDI IN.

- 2.) Connect the Synthesizer MIDI OUT to Computer MIDI IN.

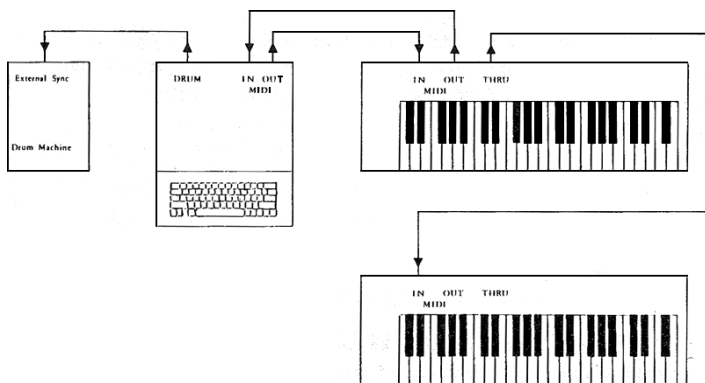
- 3.) OPTIONAL - If you have a non-MIDI drum machine, connect one end of the DCK-1 Drum Cable Kit to DRUM on the interface card, and turn to Section 2.4. IF YOU HAVE A MIDI DRUM MACHINE, DO NOT USE THIS CONNECTION!

If you have multiple keyboards in your MIDI system, only one synthesizer is connected directly to the computer. Additional instruments tie into the system via cables from MIDI THRU on one instrument to MIDI IN on the next.

2.3 SYSTEM DIAGRAM

Remember, this is just the physical wiring of the system. The actual destination of transmitted data is determined by the MIDI CHANNEL assignment of the transmitting software, and the CHANNEL and MODE controls of the receiving instruments in the system; not by the interface.

Also remember, in multiple-instrument systems the instrument connected directly to the computer is the recording keyboard. All other instruments are play-only.



2.4 CONNECTING DRUM MACHINES (OPTIONAL)

Using the Passport DCK-1 Drum Sync Cable Kit, most brands of drum machine can be integrated into your MIDI system. With Drum Sync, your MIDI system generates the CLOCK and START/STOP signals for the drum machine. Your drum machine must be capable of accepting external CLOCK signals for this to work.

The Drum Sync Cable Kit consists of two parts: 1) a male-to-male DIN 5-pin cable, and 2) a female DIN "Y" cable terminating with 2 quarter-inch phone plugs.

MIDI-equipped Drum Machines

The signals available through the Drum Sync jack are analog, not MIDI information. DO NOT CONNECT DRUM SYNC DIRECTLY TO MIDI IN of MIDI-equipped drum machines.

Drum machines equipped with MIDI are connected via MIDI OUT, IN, and THRU jacks, just like any other synthesizer.

Roland or Korg Drum Machines

If you use a Roland, Korg, or other non-MIDI drum machine equipped with a 5-pin DIN socket for external sync:

- 1) Connect the male-to-male DIN cable from the DRUM output of the MIDI interface to the external sync input on the drum machine;
- 2) Set the SYNC INPUT/OUTPUT switch to INPUT.

Linn, Oberheim, Drumulator, and others

If you're using a drum machine without a DIN sync connector, you must use both cables in the Drum Sync Cable set.

- 1) Connect the male-to-male DIN cable to the DRUM output of the MIDI interface;
- 2) Attach the female DIN "Y" cord to the male DIN cable;
- 3) Insert the straight phone plug into the CLOCK input of the drum machines, and the right angle plug into the START/STOP (or footswitch) input of the drum machine.

Drum Sync Clock Rate

The MIDI standard for timing pulses is 24 CLOCK pulses per quarter note beat. Different non-MIDI drum machines use different clock rates. Older E-mu Drumulators use 12 clocks/quarter note; new Drumulators and Rolands use 24 clocks per quarter note. Korg uses 48 clocks per quarter note; Oberheim uses 96 clocks/quarter note.

When running commercial software, you will need to allow for these differences in programming the drum machine for synchronization with the MIDI system.

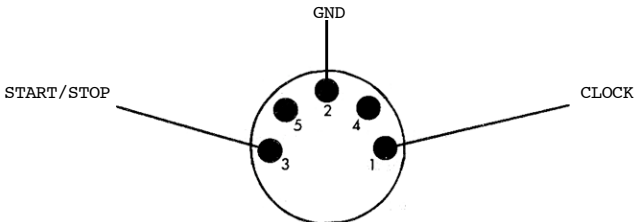
Drum synchronization is not automatic. If you are writing your own software for this interface, you will need to make provision for generating drum sync signals.

Drum Sync Pinout

When operating under software control the Drum Sync connector outputs two signals:

START/STOP - Normally high, pulses low (& returns high) to toggle running state of drum machine;

CLOCK - - - +5V at a rate of 24 clocks/qtr. note. Normally off, turns on when START is sent.



2.5 CONNECTING & USING TAPE SYNC (OPTIONAL)

(FOR APPLE MODEL MH-02A ONLY)

One of the most significant features of the MH-02 Interface is TAPE SYNC. When used with the appropriate software, this interface will WRITE sync information onto one track of a multi-track tape deck. The tape can then be played back and the sync track READ by the interface, producing perfect synchronization of multiple sequencer and/or drum machine tracks, regardless of when they're recorded.

The first crucial part of the process is appropriate software. TAPE SYNC is not automatic; you must have a sequencer program which supports it. At this time, MIDI/4 PLUS and MIDI/8 PLUS will make use of the TAPE SYNC features of the MH-02 Interface; owners of older versions-of MIDI/4 are advised to contact Passport Customer Service and ask about the Software Update Program.

While the operation of TAPE SYNC is described in detail in our software manuals, we'd like to offer a few pointers here:

CONNECTIONS: The TAPE SYNC jacks are 2 RCA-type female jacks on the MH-02 Interface. For best results, bypass your mixer and connect TAPE SYNC OUT directly to LINE IN of the tape deck channel you'll be using for the sync track. Connect LINE OUT of the tape deck to TAPE SYNC IN on the interface. This will provide a cleaner signal. ABOVE ALL, NEVER USE DOLBY OR DBX NOISE REDUCTION ON THE SYNC TRACE! -

THE TAPE: The integrity of your tape is crucial. Splices, drop-outs, or wrinkles in the tape can render the recorded sync track worthless.

BEST PROCEDURE: Make sure all tracks are recorded in the sequencer before going to tape. No sequencer track can be longer than the SYNC TRACE on the tape, and the sync code is only written onto the tape while the sequencer is running. Therefore, the

sync track is Only as long as longest track in the sequencer at the time the sync track is recorded.

- a.) Don't turn on the TAPE SYNC WRITE in the software until you're ready to record the SYNC TRACK.
- b.) Watch your VU meters. TAPE SYNC works beat when the sync track is recorded and played back at -3 dB.
- c.) TAPE SYNC works best if you record the SYNC TRACK first, with the sequencer running, but not recording the music tracks. Record just the WRITE TAPE SYNC output. Then set the sync track to normal playback mode and begin laying down the sequencer and drum machine tracks while READING the sync track off the tape.

We recommend this procedure because we've found that many low-priced multi-track tape decks — particularly integrated mixer/cassette units — have relatively poor audio quality in "simul-sync" playback mode and the sync track data can get lost in the noise.

- d.) Sync track data consists of a "ready" code, followed by a running' code. Both codes must be present for tape sync to work correctly. This means, when recording the sync track, start the tape rolling before you start sequencer playback. When overdubbing later tracks, never "cue up" the tape to the first beat of the song; always start at least 1 beat before the beginning of the song in order to catch the "ready" code on the sync track.
- e.) There is no TEMPO information in the sync track. It's up to you to set the TEMPO of your sequencer correctly.
- f.) Provided they are connected to your MN-02 Interface and the "utilities" in your MIDI/4 PLUS or MIDI/8 PLUS program are set correctly, external MIDI sequencers and both MIDI and non-MIDI drum machines will start and run in sync with the tape track.

3.0 INTRODUCTION TO PROGRAMMING THE MIDI INTERFACE

While we haven't the space to thoroughly cover MIDI programming in this manual, we will touch briefly on the subject for those users who decide to write their own programs.

Why? Passport is a software publisher, and like most publishers we are interested in good independently written programs to publish. That's our business. If you'd like to know more, write us and request our submissions guidelines.

The MIDI interface is easily accessed from assembly language, BASIC, and other programming languages that allow direct manipulation of Input/Output (I/O) addresses. As music is an extremely time-sensitive application, most professional programming is done in assembly language. However, even beginning BASIC programmers can write entertaining and enjoyable MIDI music programs. (Please note: While Applesoft or Commodore BASIC programs can play MIDI musical instruments, they are not able to record.)

The program that follows is a simple demonstration of MIDI playback under Applesoft BASIC control. When typed into your Apple and RUN it "plays" a two octave note sequence at a steady tempo, pauses to allow entry of a transposition value, then replays the sequence in transposition.

This program, with slight modification, can also be typed in and RUN on a Commodore 64. Most importantly, you must change the definitions of ACIA CONTROL and DATA register addresses in lines 3060 and 3070 to read:

```
3060 AC = 56840
3070 AD = 56841
```

It is also necessary to omit lines 1240, 1310, 2050, 2080, and 2110, as Commodore BASIC doesn't accept HTAB and VTAB commands.

```

100 REM -----
110 REM -   MIDI DATA PLAYBACK DEMO   -
120 REM -   APPLESOFT BASIC           -
130 REM -(C)1984 PASSPORT DESIGNS INC-
140 REM -   ALL RIGHTS RESERVED       -
150 REM -                               -
160 REM -   VERSION 1.1                 9/6/84 -
170 REM -   PROGRAMMER: BRUCE BETHKE  -
200 REM -----
210 REM
220 GOSUB 2000: REM DRAW SCREEN
230 GOSUB 3000: REM DEFINE VARIABLES
235 GOTO 1000: REM BEGIN PLAYBACK
240 REM
250 REM
260 REM -----
270 REM -   SUBROUTINES                 -
280 REM -----
290 REM
300 REM -- WAIT FOR ACIA TO CLEAR ---
310 FOR TIM = 1 TO 4: NEXT RETURN
320 REM
330 REM
400 REM -- WAIT FOR NOTES DURATION --
410 FOR TIM = 1 TO OUR: NEXT : RETURN
420 REM
430 REM
500 REM -----TURN OFF OLD NOTE -----
510 POKE AD,OFFKY: GOSUB 310
520 POKE AD,OLDEY: GOSUB 310
530 POKE AD,VOFF: GOSUB 310
540 RETURN
550 REM
560 REM
600 REM ----- TURN ON NEW NOTE -----
610 POKE AD,KEYDN: GOSUB 310
620 POKE AD,NEXKY: GOSUB 310
630 POKE AD,VMAX: GOSUB 310
640 RETURN
650 REM
660 REM
1000 REM -----
1010 REM -   BEGIN PLAYBACK           -
1020 REM -----
1030 REM
1040 FOR N = 1 TO 24
1050 READ NEXEY
1060 NEXKY = NEXKY + T: REM TRANSPOSE
1070 GOSUB 510: REM TURN OFF PREVIOUS NOTE
1080 GOSUB 610: REM PLAY CURRENT NOTE
1090 GOSUB 410: REM WAIT ONE NOTE'S DURATION
1100 OLDEY = NEXEY: REM CURRENT NOTE BECOMES PREVIOUS NOTE
1110 NEXT N: REM GET NEXT NOTE
1120 REM

```

```

1130 REM -----
1140 REM - AT END OF DATA, TURN OFF -
1150 REM - LAST NOTE PLAYED -
1160 REM -----
1175 GOSUB 410
1180 POKE AD,OFFKY: GOSUB 310
1190 POKE AD,OLDKY: GOSUB 310
1195 POKE AD,VOFF: GOSUB 310
1197 REM
1200 REM -----
1210 REM - EXIT / TRANSPOSE PROMPT -
1220 REM -----
1240 VTAB 12: HTAB 10
1250 PRINT "CONTINUE (Y/N)";: INPUT A$
1260 IF (AS = "Y" OR A$ = y) THEN 1300
1270 HOME : END
1290 REM
1300 REM ---- CONTINUE PLAYBACK ---
1310 VTAB 14: HTAB 3
1320 PRINT "TRANSPOSE VALUE (+/- 0...36)";: INPUT A$
1330 T = VAL (A$)
1340 IF (T > = - 36) AND (T < = 36) THEN 1400
1350 HOME : GOSUB 2000: GOTO 1310
1360 REM
1400 RESTORE : GOTO 1040
1410 REM =====
1500 REM
1900 REM
2000 REM -----
2010 REM -          DRAW SCREEN          -
2020 REM -----
2040 HOME : PRINT CHR$( 7): REM BEEP!
2050 VTAB 1: HTAB 7: INVERSE
2060 PRINT "MIDI PLAYBACK DEMONSTRATION"
2070 NORMAL
2080 VTAB 3: HTAB 5: INVERSE
2090 PRINT "(C) 1984 PASSPORT DESIGNS, INC."
2100 NORMAL
2110 VTAB 5: HTAB 5: PRINT"*****"
2120 RETURN
2130 REM
2140 REM
3000 REM -----
3010 REM -          DEFINE VARIABLES          -
3020 REM -----
3030 REM
3040 REM ACIA CONTROL AND DATA REGISTERS
3050 REM WITH MIDI CARD IN SLOT#2
3060 AC = 49320: REM ACIA CONTROL
3070 AD 49321: REM ACIA DATA
3080 OFFKY = 128: REM KEY OFF STATUS BYTE
3090 KEYDN = 144: REM KEY ON STATUS BYTE
3100 VOFF = 0: REM KEY VELOCITY 0
3110 VMAX = 127: REM KEY VELOCITY = 127
3120 OLDKY = 0: REM "OLD" KEY ID NUMBER
3130 NEXEY 0: REM "NEW" KEY ID NUMBER
3140 DUR = 50: REM NOTE DURATION
3150 T = 0: REM TRANSPOSITION VALUE
3160 A$ = "": REM INPUT STRING VARIABLE

```



```
3180 REM
3200 REM -----
3210 REM -   RESET & CONFIGURE ACIA   -
3220 REM -----
3230 REM
3240 POKEAC,19: POKE AC,17
3250 RETURN
3300 REM
3400 REM
4000 REM -----
4010 REM - KEY ID (NOTE) DATA TABLE -
4020 REM -----
4030 REM
4040 DATA 60,61,62,63,64,65
4050 DATA 66,67,68,69,70,71
4060 DATA 72,71,69,68,67,66
4070 DATA 65,64,63,62,61,60
4080 REM
4090 REM
```

3.1 MIDI CODES

The following 6850 AdA and MIDI codes are used in the example program (the example program does not use the 6840 Timer). MIDI codes shown are valid only if the synthesizer is set to receive on MIDI CHANNEL 01.

For a complete listing of MIDI codes, see the IRA MIDI Specification.

ACIA CODE 19 -- RESET (line 3240)

This value poked into the ACIA control register resets the ACIA. This must be done before any other configuration code can be sent to the ACIA.

ACIA CODE 17 -- MASK INTERRUPTS (line 3240)

Poking this value into the ACIA control register sets the ACIA to generate no interrupts to the Apple.

MIDI CODE 128 -- KEY OFF (line 3080, 510)

MIDI messages consist of a status byte followed by one or two data bytes (depending on the type of message). Status bytes are always greater than 127; data bytes are always less than 128.

Both status bytes and data bytes are poked into the ACIA data register.

Code 128 (KEY OFF) must be followed by 2 data bytes: a key i.d. number (line 520) indicating which note to turn off, and a key velocity (line 530).

4.0 TECHNICAL NOTES

Passport MH-02 Interfaces are "clean and elegant" devices consisting of a 6850 Aynchronous Communications Interface Adapter (ACIA), a 6840 Programmable Timer Module (PTM), and computer bus interface circuitry. The simple design of the interface imposes the fewest possible restrictions on application software. Given proper software, any MIDI-equipped device can be addressed and controlled with this interface.

This section covers specific I/O addressing of the Apple end Commodore versions of the MH-02 Interface, frequently used AdA and PTM codes, and an introduction to the specifics of the ACIA and PTM.

For a complete description of the operating characteristics of the MC6840 PTM and MC6850 ACIA, see the 6840 and 6850 data sheets (available directly from Motorola).

4.1 APPLE // HARDWARE ADDRESSES

All Input/Output hardware addresses in the Apple II are slot dependent. Memory locations \$C000 through SCFFF are allocated for I/O addresses; exact slot addresses are computed as follows:

$$\text{BASE ADDRESS} = \$C080 + \$n0$$

Where n equals the slot number (1 thru 7). The addresses given here are based on the assumption that the interface is installed in Slot #2 (base address \$C0A0), the "standard" slot used for serial communications devices in the Apple.

DECIMAL	HEX	DESCRIPTION
49312	C0A0	6840 Timer control register 1
49313	C0A1	6840 Timer control register 2
49314	C0A2	High Byte Timer 1 value
49315	C0A3	Low Byte Timer 1 value
49316	C0A4	High Byte Timer 2 value
49317	C0A5	Low Byte Timer 2 value
49318	C0A6	High Byte Timer 3 (RESERVED)
49319	C0A7	Low Byte Timer 3 (RESERVED)
49320	C0A8	6850 control register
49321	C0A9	6850 data register
49326	C0AE	Drum sync SET
49327	C0AF	Drum sync CLEAR

4.2 COMMODORE 64 HARDWARE ADDRESSES

I/O hardware addresses in the Commodore 64 are absolute, as there is Only one expansion slot.

DECIMAL	HEX	DESCRIPTION
56832	DE00	6840 Timer control register 1
56833	DE01	6840 Timer control register 2
56834	DE02	High Byte Timer 1 value
56835	DE03	Low Byte Timer 1 value
56836	DE04	High Byte Timer 2 value
56837	DE05	Low Byte Timer 2 value
56838	DE06	High Byte Timer 3 (RESERVED)
56839	0E07	Low Byte Timer 3 (RESERVED)
56840	DE08	6850 control register
56841	DE09	6850 data register
56880	DE30	Drum sync SET
56888	DE38	Drum sync CLEAR

4.3 INITIALIZATION & OPERATION CODES

The following values are used to set up the 6840 PTM and the 6850 ACIA to function in various capacities, and to control their operation.

Values relevant to the 6850 are poked into the 6850 Control and Transmit Data Registers. Values relevant to the 6840 are poked into the 6840 Timer Control Registers.

Timer& ACIA must be reset before configuration.

	DECIMAL	HEX	BINARY	DESCRIPTION
6 p	0	00	0000 0000	Let timers run
8 T				
4 M	1	01	0000 0001	Turn off timers
0				
	67	43	0100 0011	Reset the 6840 PTM
6 A	17	11	0001 0001	No interrupts generated
8 C				
5 I	19	13	0001 0011	Reset ACIA
0 A				
	21	15	0001 0101	Turn off ACIA
	49	31	0011 0001	Generate interrupts during Send only
	145	91	001 0001	Generate interrupts during Receive Only
	177	B1	1011 0001	Generate interrupts during both Send & Receive

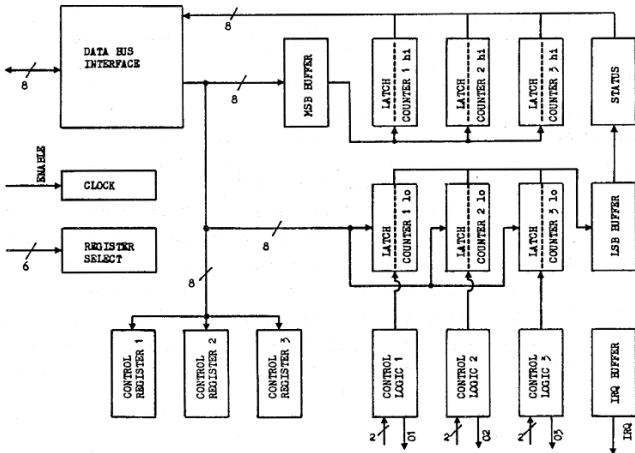
6840 PTM DESCRIPTION

4.4 MC6840 PROGRAMMABLE TIMER MODULE (PTM)

The Motorola MC6840 is a versatile timer module that is completely accessible to the programmer, appearing as memory locations in the I/O space. The module contains three timers which are independently programmable, cyclic in operation, controllable by external events or software, and are accessible by the microprocessor at any time.

Typically, a timer is loaded by storing two bytes of time data into its respective Counter Latch, which is subsequently transferred into the Counter during the initialization phase. The counter is decremented every clock period until a predetermined condition causes it to halt or recycle.

SIMPLIFIED BLOCK DIAGRAM OF THE MC6840



6840 PTM DESCRIPTION

CONTROL REGISTERS

There are three Write-Only registers on the 6840 that are used to "control" the operation of the three onboard timers.

Control Register #2 is uniquely mapped in the I/O address space and may be addressed at any time.

The remaining two control registers (#1 & #3) share the same address. They are addressed by setting all of the Register Select inputs, the three least significant bits (lsb) of the address, to logic zero and using bit 0 of Control Register #2 as an additional addressing bit.

Given the Register Select lines are zero, if bit 0 of Control Register #2 is logic one, Control Register #1 is selected. If Control Register #2 bit 0 is logic zero, then Control Register #3 is selected (reserved).

TABLE #1

Register Select			Operations	
Bits			R/W=0	R/W=1
2	1	0		
0	0	0	CR2 bit 0=0, Write CR #3 CR2 bit 0=1, Write CR #1	No operation
0	0	1	Write Control Register#2	Read Status register
0	1	0	Write MSB buffer register	Read Timer #1 counter
0	1	1	Write Timer #1 latches	Read LSB buffer register
1	0	0	Write NSB buffer register	Read Timer #2 counter
1	0	1	Write Timer #2 latches	Read LSB buffer register
1	1	0	Write MSB buffer register	Read Timer #3 counter
1	1	1	Write Timer #3 latches	Read LSB buffer register

6840 PTM DESCRIPTION

The lsb of Control Register #1 is used as an Internal Reset bit. Setting this bit to logic one causes all counters to be set with the contents of their associated latches, all counter clocks to be disabled, and all timer outputs and interrupt flags to be reset. Conversely, when bit 0 of Control Register #1 is set to logic zero, all of the timers are allowed to operate in the modes specified by the remaining bits in the respective control registers.

The lsb of Control Register #3 is used as a selector for a divide-by-8 prescaler used with Timer #3 only.

TABLE #2

Control Register 1

<u>Bit 0</u>	<u>Function: Internal Reset bit</u>
0	All timers allowed to operate
1	Hold timers in present state

Control Register 2

<u>Bit 0</u>	<u>Function: Control Register Address bit</u>
0	Control Register #3 may be written
1	Control Register #1 may be written

Control Register 3

<u>Bit 0</u>	<u>Function: Timer #3 Clock Control</u>
0	Timer 3 clock is NOT prescaled
1	Timer 3 clock is prescaled (divide by 8)

The remaining bits (1-7) of each of the Control Registers select common functions with the effect restricted to the timer associated with the respective Control Register.

6840 PTM DESCRIPTION

- Bit 1: Selects the clock source for the timer.
- Bit 2: Determines whether the binsry dsts contained in the Counter Latches is treated asone single 16-bit word, or as two 8-bit Bytes.
- Bits 3, 4, arid 5: Select the operating modes of the respective timers: Continuous, Single-shot, Frequency comparison, or Pulse Width Comparison. Continuous (the most commonly used mode) is established by writing zeroes into bits 3 and 5 of the corresponding Control Register.
- A Timer Reset (Internal Reset: Control Register #1, bit 0=1; or an External Reset=0) condition results in Counter initialization.
- Bit 6: Is an Interrupt Mask and is used in conjunction with the interrupt flag bits of the Status Register It must be set (=1, logic One) if interrupts are to be recognized from the associated timer.
- Bit 7: Enables the corresponding Timer Output, (This mode is not used).

TABLE #3

Control Registers 1 through 3		
<u>Bit</u>	<u>State</u>	<u>Function</u>
1	0	Timer <u>n</u> * uses external clock source Timer <u>n</u> uses (Enables) internal clock src
2	0	Timer <u>n</u> 16-bit mode Timer <u>n</u> dual 8-bit mode
3	-	Timer <u>n</u> Counter Mode & Interrupt Control
4	-	(see Table #4)
5	-	
6	0	Timer <u>n</u> IRQ masked Timer <u>n</u> IRQ enabled
7	0	Timer <u>n</u> Timer Output masked Timer <u>n</u> Timer Output enabled

*n equals 1, 2, or 3

TABLE #4

Control Registers 1 through 3			
Bits			
<u>5</u>	<u>4</u>	<u>3</u>	<u>Function</u>
0	*	0	Continuous
1	*	0	Single-shot
*	0	1	Frequency Comparison
*	1	1	Pulse Width Comparison

* Defines additional timer functions

STATUS REGISTER (READ ONLY)

The internal Status register contains four Interrupt flags (or bits). The lowest three flags (bits) are assigned to one of the three timers. That is, bit 0 is assigned to Timer #1, bit 1 to Timer #2, and bit #2 to Timer #3. (Bits 3 to 6 are not used.)

Bit 7 is a composite Interrupt flag and will be set if any of the interrupt flags is set and bit 6 of the corresponding control register is also set.

An interrupt flag is cleared by a Timer Reset condition, an External Reset, or an Internal Reset. It will also be reset by a Read Timer Control Command if, and only if, the Status Register has previously been read while the interrupt flag was set.

6840 PTM DESCRIPTION

COUNTER LATCH INITIALIZATION

Counter Initialization is defined as the transfer of data from the latches to the counter with the subsequent clearing of the individual interrupt flag assigned to the timer. Initialization always takes place when a reset condition is recognized. Depending on the Timer mode, it can also occur when the Write Timer Latch command is issued.

Counter initialization results in the transfer of latch contents to the counter. Three addresses are provided for the Most Significant Byte (MSB) buffer register (as detailed in Table #1), but only one buffer register actually exists. Data will be automatically transferred into the MSB of Timer #n when the Write Timer #n Latch command is issued.

The important point to stress is that the microprocessor must write the MSB of data first.

Counter re-cycling occurs when a negative transition of the clock input is recognized after the counter has reached a zero state. In this case, data is automatically transferred from the latches to the counter.

6850 ACIA DESCRIPTION

4.5 MC6850 ASYNCHRONOUS COMMUNICATIONS INTERFACE ADAPTER

To the programmer or software utilizing this device, the Motorola MC6850 appears as two memory locations. Within the 6850 there are four registers: two write-only, and two read-only. The two read-only registers are the Status Register and the Receive Data Register. The two write-only registers are the Control Register and the Transmit Data Register.

The functional characteristics of the ACIA are programmed by data bytes received by the ACIA via the data bus during system initialization.

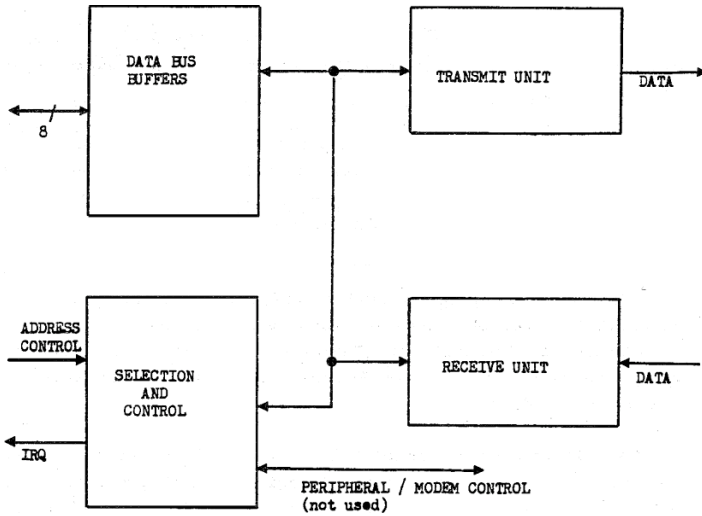
The parallel data to be output is received via the parallel data bus and transmitted serially by the ACIA. Conversely, data input to the ACIA is received serially and the controlling program accesses the data from the ACIA via the parallel data bus.

In short, a write command specifying the ACIA's Control or Transmit Data Register location results in setting or resetting of the Control or Transmit Data Register bits. When the location is read the contents of the Status or Receive Data Registers are placed on the data bus.

The ACIA is a "programmable" device, as opposed to a "switched" device. It contains a control register which provides control over: word length, clock division ratios, transmitter control, receiver control, and interrupt control.

6850 ACIA DESCRIPTION

SIMPLIFIED BLOCK DIAGRAM OF THE MC6850



6850 ACIA DESCRIPTION

CONTROL REGISTER (WRITE ONLY)

This registers "controls" the function of the receiver transmitter, interrupt enables, and Request-To-Send (RTS) peripheral/modem control output. (The latter function is not used.)

Specific bits in the Control Register are assigned to the functional units and their particular patterns determine the operational characteristics of the unit. Four functions are controlled: counter divide, word select, transmitter control, and receive interrupt enable.

TABLE #5

CONTROL REGISTER
Counter Divide Select Bits Truth Table

Bits		<u>Function</u>
<u>1</u>	<u>0</u>	
0	0	Divide by 1
0	1	Divide by 16
1	0	Divide by 64
1	1	Master Reset

The Master Reset condition must be established in the ACIA to insure proper initialization. This should be done when the system is powered up and the communications channel is configured.

6850 ACIA DESCRIPTION

TABLE #6

CONTROL REGISTER					
Word Select Bits Truth Table					
Bits			Word Length	Parity	Stop Bits
4	3	2			
0	0	0	7	Even	2
0	0	1	7	Odd	2
0	1	0	7	Even	1
0	1	1	7	Odd	1
1	0	0	8	--	2
1	0	1	8	--	1
1	1	0	8	Even	1
1	1	1	8	Odd	1

Transmitter Control (Bits 5 & 6)

These bits control the interrupt from a Transmit Data Register Empty (TDRE) condition, the Request-To-send output, and the transmission of a space (break). (TDRE interrupt is the Only function Used by Passports MH-02 MIDI I/O card.)

TABLE #7

CONTROL REGISTER
Transmitter & Receiver Interrupt Truth Table

Bits		Function
6	5	
0	0	RTS=low, Transmitting Interrupt Disabled
0	1	RTS=low, Transmitting Interrupt Enabled
1	0	RTS=high, Transmitting Interrupt Disabled
1	1	RTS=low, Transmits Break, Transmitting Interrupt Disabled

6850 ACIA DESCRIPTION

Receive Interrupt Enable (Bit 7)

Enable interrupts when bit 7 of the Control Register is set(=1)

TRANSMIT DATA REGISTER (WRITE ONLY)

After a character has been placed in the Data Register, the transmission commences within one bit time of the trailing edge of the Write command (given that the ACIA has been initialized properly to send).

The transfer of data causes the Transmit Data Register Empty bit (TDRE) in the Status register to indicate empty (it is set=1).

RECEIVE DATA REGISTER (READ ONLY)

Character data is automatically transferred to the empty Receive Data Register (RDR) from the deserializing unit when a completed character has been received. The transfer will cause the Receive Data Register Full bit (RDRF) in the Status Register to be set. The received data may be read by addressing the ACIA's Receive Data Register. The read operation clears the RDRF bit.

6850 ACIA DESCRIPTION

STATUS REGISTER (READ ONLY)

Information regarding the status of the Transmit or Receive Data Registers, error logic, and peripheral/modem status is available to the microprocessor (and hence the control program) by reading the ACIA's Status Register.

Each bit in the Status Register is associated with either a functional unit (Transmit, Receive), error, or logic condition. The bit assignments are as follows.

Bit 0 - Receive Data Register Full

If bit 0 = 1 (set) then this indicates that the received data has been transferred to the Receive Data Register. The bit is cleared after the Receive Data Register has been "read", or by a Master Reset.

Bit 1 - Transmit Data Register Empty

If bit 1 = 1 then this indicates that the data contained within the Transmit Data Register has been transferred and new data may be written to it.

Bit 2 - Data Carrier Detect

If bit 2 = 1 then input from the modem indicates that a carrier is not present. (Not used by MIDI).

Bit 3 - Clear-To-Send

If bit 3 = 0 then this indicates that there is a Clear-To-Send from the modem. (Not used by MIDI).

Bit 4 - Framing Error

If bit 4 = 1 then the received character is improperly framed by a start and stop bit, and is detected by the absence of the 1st stop bit.

6850 ACIA DESCRIPTION

Bit 5 - Receiver Overrun

If bit 5 = 1 then one or more characters in the data stream were lost. Characters were received but not read from the Receive Data Register prior to succeeding characters being received.

Bit 6 - Parity Error

If bit 6 = 1 then the number of "highs" (ones) received does not agree with the preselected odd or even parity condition. (Not used by MIDI.)

Bit 7 - Interrupt Request

This bit indicates the state of the IRQ output. Any interrupt condition that has been enabled will be shown by this bit. The IRQ bit is cleared by reading the Receive Data register, or writing to the Transmit Data register.

4.6 ADDITIONAL SOURCES OF INFORMATION

This document was prepared using MIDI SPECIFICATION 1.0 (8/5/83) as a reference. As MIDI is a constantly evolving standard, all persons interested in writing software for MIDI applications are advised to obtain a copy of the latest MIDI specification before beginning work. MIDI Specifications are available from:

The International MIDI Association
8426 Vine Valley Drive
Sun Valley, CA 91352
(213) 768-7448

The Passport MH-02 MIDI Interface is based on two chips; the 6840 Programmable Timer Module (PTM), and the 6850 Asynchronous Communications Interface Adapter (ACIA). As familiarity with these chips is important to proper programming of the interface, we advise programmers to obtain the MC6840 and MC6850 data sheets, available directly from Motorola, Inc.

Excellent, non-MIDI specific, resources for information on principles of good program design are:

Design Guidelines

Apple Computer Publication *A2F2116

Fundamentals of the Computing Sciences

Chapters 1 - 3

by Kurt Maly & Allen Hanson

Prentice-Hall, Inc.

An Introduction to Programming
and Problem Solving with Pascal

by G. Schneider, S. Weingart, & D. Perlman

John Wiley & Sons, Inc.